

Tarantin

INDUSTRIES, INC.

Tanks 2017



Download Our App - Order Anywhere



WWW.TARANTIN.COM • 800-922-0724



about



Tarantin Industries, Incorporated

is a family owned company with a long, dedicated history of providing quality products, experienced technical assistance, and extraordinary customer service. Since our humble beginning in 1983 we have built a foundation on focusing all of our efforts on our customers. Having recruited a team of highly qualified sales associates, combined with a group of field trained technical specialists, Tarantin Industries stands ready to assist our customers in selecting the best products and services to grow their businesses.

Six distribution facilities along the east coast make us a unique wholesale distributor. These strategically placed locations allow us to reach companies from Maine to Florida with next day delivery of products and equipment that are needed to keep their businesses running smoothly.

A highly skilled staff provides training on the items we sell as well as code updates at each of our facilities. We aggressively invest in technology and efficiencies to capitalize on the strengths of our logistically positioned distribution centers. Through all of our initiatives we remain laser focused on our customers. We are proud of our employees and vendors who share this vision — to provide the very highest level of service and dependability our industry has to offer.

We thank you for your business and support.

Download Our App - Order Anywhere





about



Finding a Better Way

Manchester Tank

Since 1946, Manchester Tank has grown from seven employees and one product line into an international company of over 850 employees and a broad line of virtually all low-pressure tank families. Their strong business development group is dedicated to work continuously to ensure our customers' needs are met efficiently and cost effectively. Their North American operation is headquartered in Franklin, TN, and includes manufacturing facilities in Bedford, IN, Crossville, TN, Elkhart, IN and Quincy, IL. Their added distribution points throughout the continent are strategically placed to guarantee timely delivery and convenience to our customers. Their Australian operation includes one manufacturing plant and a dedicated business development group, serving markets in Australia, New Zealand, and the Pacific Rim. Their Chilean operation consists of a manufacturing and sales office based in Santiago, a refurbishing facility in Concon and expanded operations covering the Peru and Columbia markets.

UNDERGROUND TANKS



Tank Size	Tank Part Number	Rego Multivalve	Rego Check Lock	Rochester Gauge	Rochester Replacement Dial	UG Shroud
1000 GAL UGLR	68277	PG8475RL	7590UT	6281-04428	5-01813	A98333
1000 GAL UGSR	68287	PG8475RL	7590UT	6281-04434	5-01813	A98332
500 GAL UGLR	68275	PG8475RL	7590UT	6281-04429	5-01813	A98333
500 GAL UGSR	68286	PG8475RL	7590UT	6281-04433	5-01813	A98332
320 GAL UGLR	68273	PG8475RL	7590UT	6281-04432	5-01813	A98333
320 GAL UGSR	68285	PG8475RL	7590UT	6281-04534	5-01813	A98332
250 GAL UGLR	68289	PG8475RL	7590UT	6281-04534	5-01813	A98333
250 GAL UGSR	68271	PG8475RL	7590UT	6281-04534	5-01813	A98332
120 GAL UGLR	68288	PG8475RL	7590UT	6281-04490	5-01813	A98333
120 GAL UGSR	68269	PG8475RL	7590UT	6281-04490	5-01813	A98332

Anode Bag



MG-5LB, MG-9LB, MG-17LB
5, 9, and 17 lb. anodes with a 10 ft x #12 gauge electrical lead attached. Bagged and boxed for shipping protection.

Anchoring Equipment

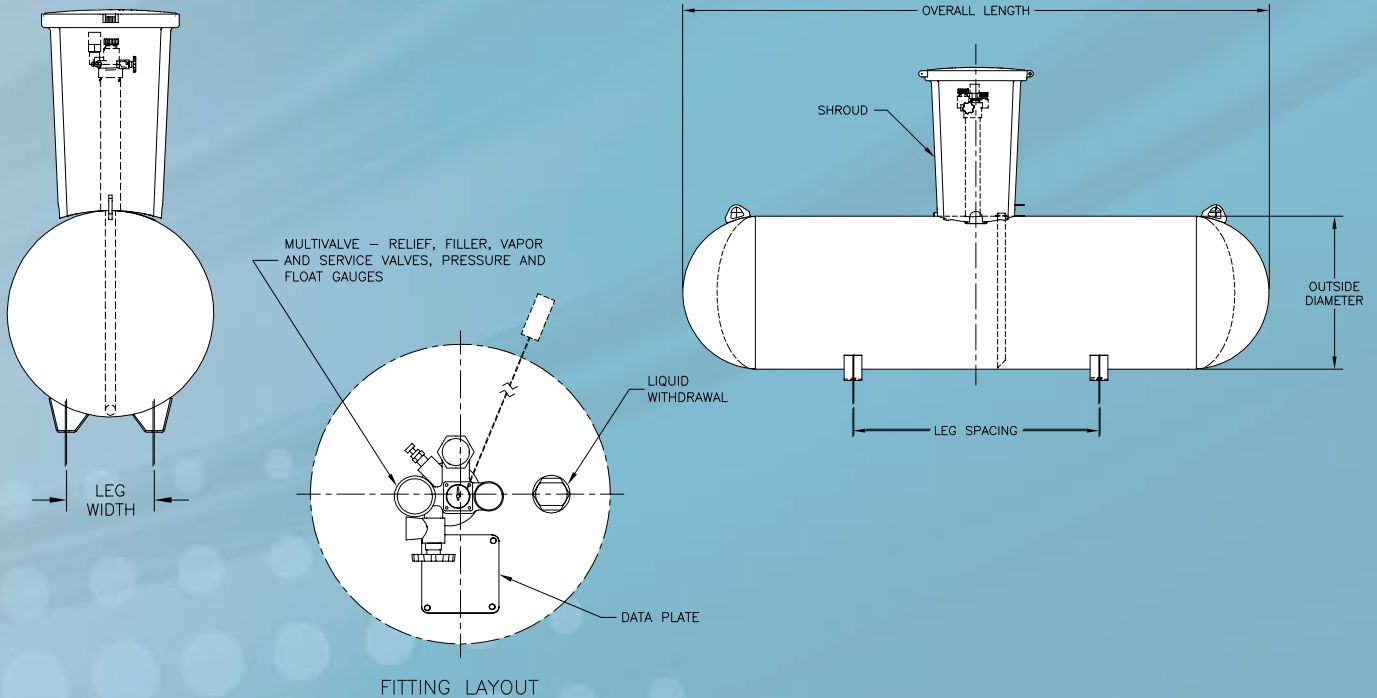


UG-KIT
Designed to secure both 500 and 1000 gallon UG tanks. Comes with (2) 1/2" x 15 ft cables, (4) 1/2" x 6" turnbuckles, (6) 1/2" cable clips, (4) 1/2" x 9" x 15" anchors

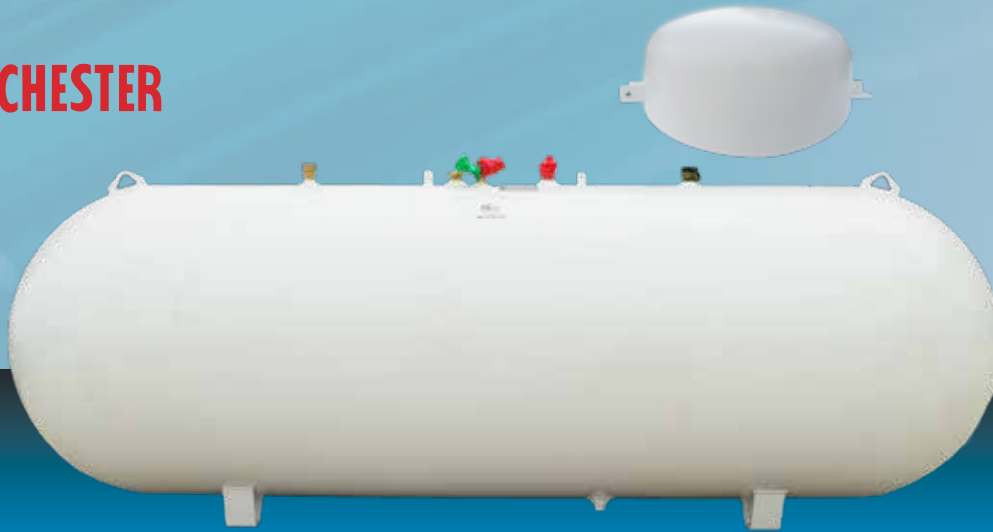
UNDERGROUND TANKS

Underground Vessel Dimensions & Specifications (All Vessel Dimensions are Approximate)

Part Number	Description	Water Capacity	Outside Diameter	Head Type	Overall Length In/mm	Overall Riser Height In/mm		Leg Width In/mm	Leg Spacing In/mm	Weight Lbs/kg	Quantity	
						14" Riser	28" Riser				Full Load	Per Stack
68288	120 Gallon Underground LR Storage Tank	120 454.2	24" 609.6	Ellip	5'6" 1676.4	—	4'4 1/2" 1327.15	10 1/8" 257.3	3'0" 914.4	313 142	63	9
68269	120 Gallon Underground SR Storage Tank	120 454.2	24" 609.6	Ellip	5'6" 1676.4	3'8 1/16" 1119.2	—	10 1/8" 257.3	3'0" 914.4	304 137.9	63	9
68289	250 Gallon Underground LR Storage Tank	250 946.3	30" 762	Hemi	7'10" 2387.6	—	5'5/8" 1539.9	12 3/4" 323.9	6" 1066.8	484 219.5	42	7
68271	250 Gallon Underground SR Storage Tank	250 946.3	30" 762	Hemi	7'10" 2387.6	4'2 1/16" 1271.6	—	12 3/4" 323.9	6" 1066.8	475 215.5	42	7
68273	320 Gallon Underground LR Storage Tank	320 1211.3	30" 762	Hemi	9'7" 2921	—	5'1 7/16" 1560.5	3/4" 323.9	4'0 1/4" 1225.6	597 270.8	35	7
68285	320 Gallon Underground SR Storage Tank	320 1211.3	30" 762	Hemi	9'7" 2921	4'2 7/8" 1292.2	—	12 3/4" 323.9	4'0 1/4" 1225.6	593 269	35	7
68275	500 Gallon Underground LR Storage Tank	500 1892.7	37.5" 952.5	Hemi	9'10" 2997.2	—	5'8 3/4" 1746.3	15" 381	5'0" 1524	953 432.3	25	5
68286	500 Gallon Underground SR Storage Tank	500 1892.7	37.5" 952.5	Hemi	9'10" 2997.2	4'10 1/4" 1479.6	—	15" 381	5'0" 1524	949 430.5	25	5
68277	1000 Gallon Underground LR Storage Tank	1000 3785.4	41" 1041.4	Hemi	15'11" 4851.4	—	6'0 1/4" 1835.2	16 1/4" 412.8	9'0" 2743.2	1812 821.9	12	4
68287	1000 Gallon Underground SR Storage Tank	1000 3785.4	41" 1041.4	Hemi	15'11" 4851.4	5'1 11/16" 1566.9	—	16 1/4" 412.8	9'0" 2743.2	1808 820.1	12	4

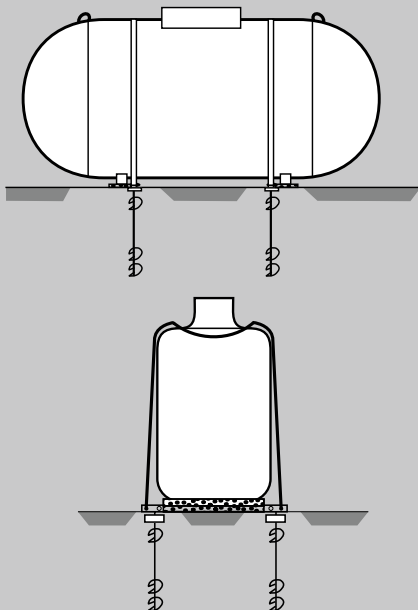


ABOVE GROUND TANKS



Tank Size	Tank Part#	Rego Relief Valve	Rego Chek-Lok (top)	Rego Chek-Lok (bottom)	Rego Filler Valve	Rego Multivalve	Rochester Float Gauge	Rochester Replacement Dial	AG Dome (White)	Dome Pin
1000 GAL	68276	8685GT	7590UT	7591UT	L7579CT	PT7556RS12.0	B8981-04068	5-01749	A97043.18	67980763
500 GAL	68274	8684GT	7590UT	7591UT	L7579CT	PT7556RS12.0	B8981-04067	5-01749	A97043.18	67980763
320 GAL	68272	7583GT	7590UT	7591UT	L7579CT	PT7556RS12.0	B8981-04070B	5-01749	A97043.18	67980763
250 GAL	68270	7583GT	7590UT	-----	L7579CT	PT7556RS12.0	B8981-04070B	5-01749	A98233.18	67980763
120 GAL	68268	7583GT	7590UT	-----	L7579CT	PT7556RS12.0	B8981-04024	5-01749	A98233.18	67980763

Minuteman Tank Anchoring System



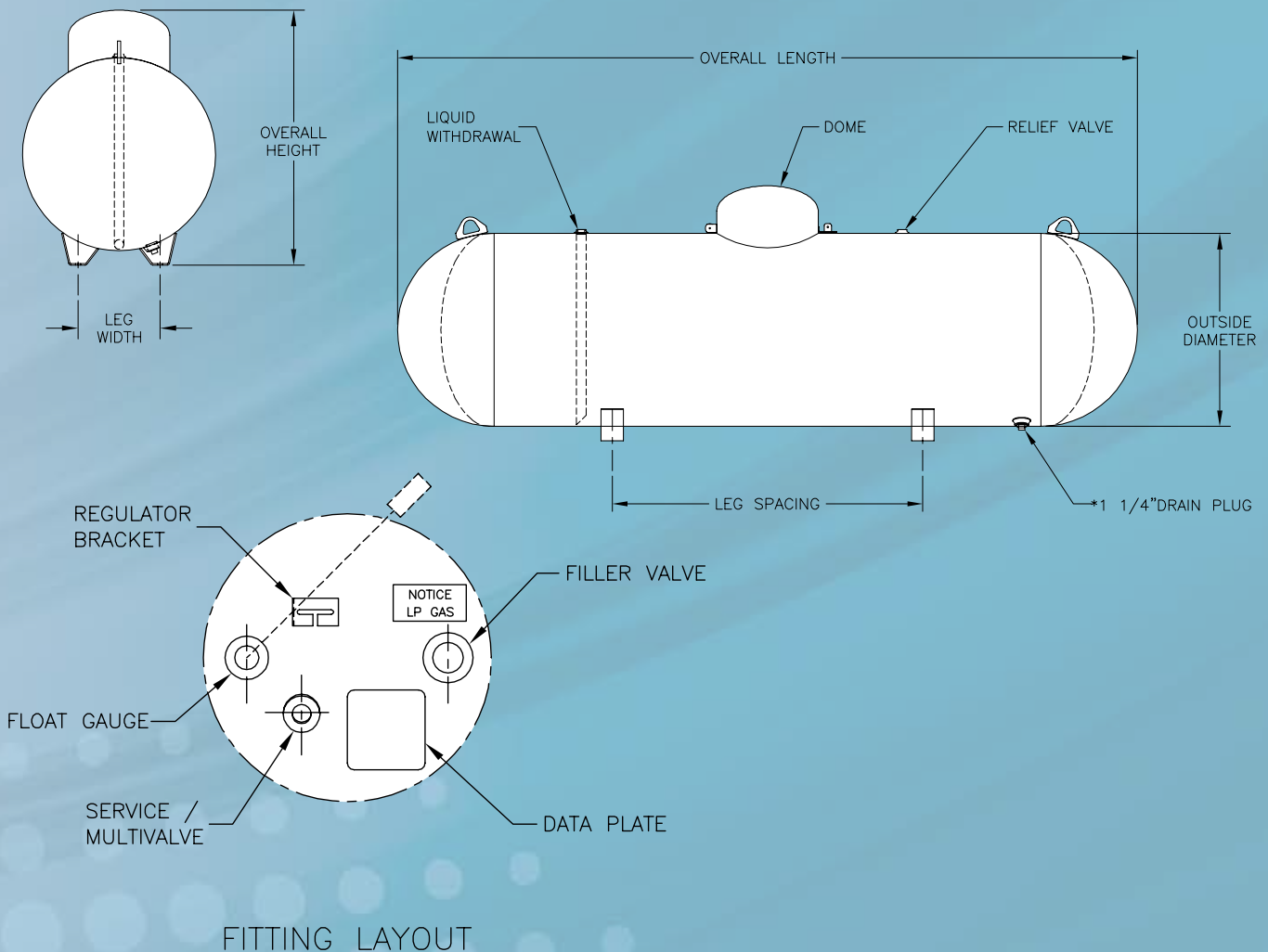
High waters can dislodge unanchored tanks causing spills, environmental and property damage.

Part #	Description	Use
1346	36" Earth Anchor w/ 4" & 6" Disks	Dense / Normal Soil
1593	36" Earth Anchor w/ 4" & 6" Disks & Stabilizer	Dense / Normal Soil
1284	50" Earth Anchor w/ Double 4" Disks	Loose to Medium Soil
2391	Dry Concrete Anchor w/ Bolt Expansion Sleeve	Concrete - Dry
2010- Minute	Split Bolt and Nut	All Anchors
2365	Stainless Steel Sling w/ Sheathed Strap & Seals	For Vertical Cylinders
2375	Stainless Steel Strap 100 ft Roll	Note: 120 gal. to 350 gal. tanks need 1 strap and 2 anchors. 351 gal. tanks to 1500 gal. tanks require 2 straps and 4 anchors
2382	Strap Sheathing - 200 feet	
2730	Minute Man Drive Machine	
2741	Minute Man Anchor Adapter	

ABOVE GROUND TANKS

Above Ground Vessel Dimensions & Specifications (All Vessel Dimensions are Approximate)

Part Number	Description	Water Capacity Gal/l	Outside Diameter In/mm	Head Type	Overall Length In/mm	Overall Riser Height In/mm	Leg Width In/mm	Leg Spacing In/mm	Weight Lbs/kg	Quantity	
										Full Load	Per Stack
68268	120 Gallon Aboveground Storage Tank*	120 454.2	24" 609.6	Ellip	5' 6" 1676.4	2' 9 3/8" 847.85	10 1/8" 257.3	3' 0" 914.4	310 140.6	96	12
68270	250 Gallon Aboveground Storage Tank*	250 946.3	30" 762	Hemi	7' 10" 2387.6	3' 3 3/8" 1000.1	12 3/4" 323.9	3' 6" 1066.8	471 213.6	54	9
68272	320 Gallon Aboveground Storage Tank	320 1211.3	30" 762	Hemi	9' 7" 2921	3' 3 11/16" 1008.1	12 3/4" 323.9	4' 0 1/4" 1225.6	566 256.7	45	9
68274	500 Gallon Aboveground Storage Tank	500 1892.7	37.5" 952.5	Hemi	9' 10" 2997.2	3' 11 1/16" 1195.4	15" 381	5' 0" 1524	920 417.3	30	6
68276	1000 Gallon Aboveground Storage Tank	1000 3785.4	41" 1041.4	Hemi	15' 11" 4851.4	4' 2 1/2" 1282.7	16 1/4" 412.8	9' 0" 2743.2	1811 821.5	15	5



ABOVE GROUND/UNDERGROUND TANKS



Valves

Tank Size	Tank Part #	Relief Valve	Chek-Lok (Top)	Filler Valve	Multivalve (Cut Dip Tube to Length)
1000 GAL	68284	8685GT	7590UT	L7579CT	PT7556RS12.0
500 GAL	68283	8684GT	7590UT	L7579CT	PT7556RS12.0
320 GAL	68282	7583GT	7590UT	L7579CT	PT7556RS12.0
250 GAL	68281	7583GT	7590UT	L7579CT	PT7556RS12.0
120 GAL	68280	7583GT	7590UT	L7579CT	PT7556RS12.0

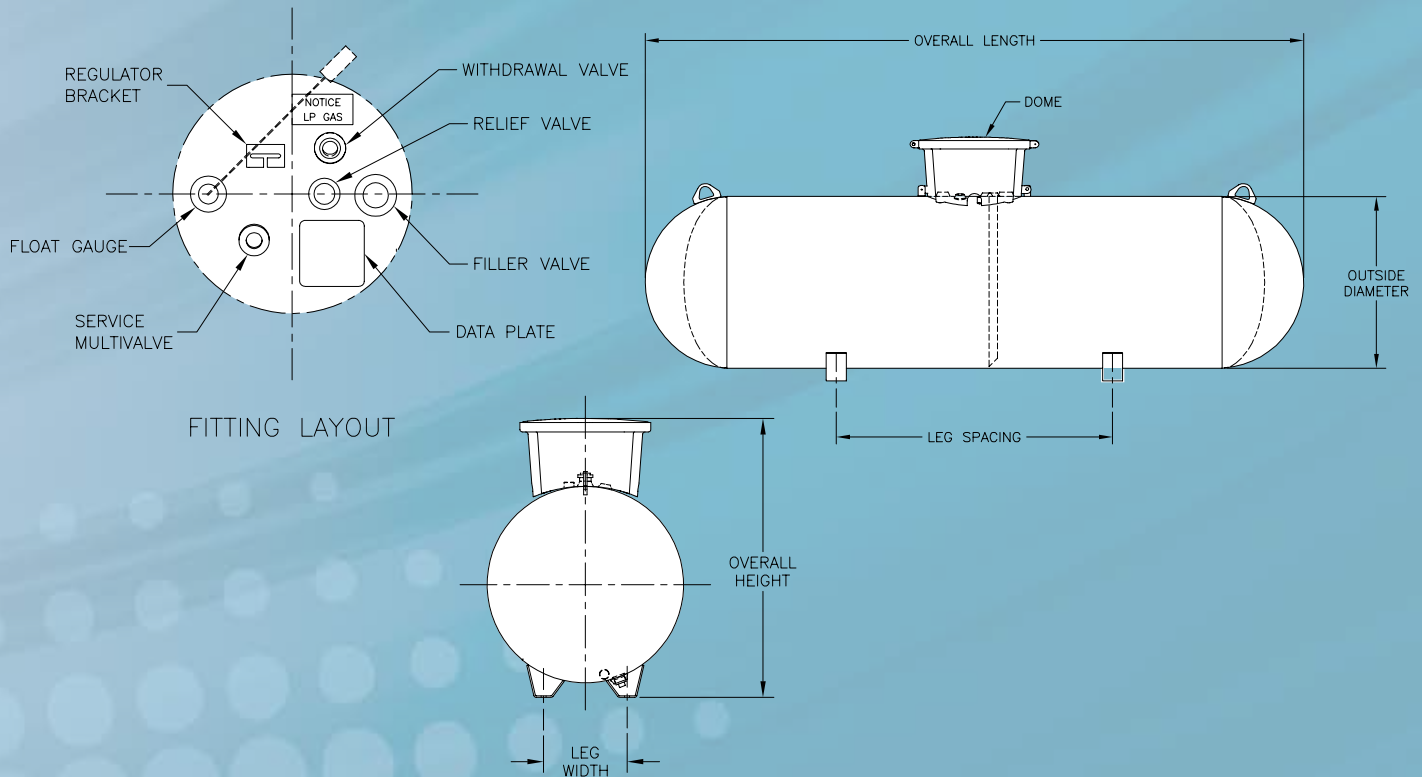
Gauge, Dome, & Dome Pin

Tank Size	Tank Part #	Float Gauge	AG Dome (White)	UG Dome (Black HDPE)	Dome Pin
1000 GAL	68284	B8981-04068	A97043.18	A98328	67980763
500 GAL	68283	B8981-04067	A97043.18	A98328	67980763
320 GAL	68282	B8981-04070B	A97043.18	A98328	67980763
250 GAL	68281	B8981-04070B	A98233.18	A98328	67980763
120 GAL	68280	B8981-04024	A98233.18	A98328	67980763

ABOVE GROUND/UNDERGROUND TANKS

Above Ground / Underground Vessel Dimensions & Specifications (All Vessel Dimensions are Approximate)

Part Number	Description	Water Capacity Gal/l	Outside Diameter In/mm	Head Type	Overall Length In/mm	Overall Riser Height In/mm	Leg Width In/mm	Leg Spacing In/mm	Weight Lbs/kg	Quantity	
										Full Load	Per Stack
68280	120 Gallon AG/UG Storage Tank, White	120 454.2	24" 609.6	Ellip	5'6" 1676.4	2'11 7/8" 911.2	10 1/8" 257.3	3'0" 914.4	312 141.5	96	12
68280.6	120 Gallon AG/UG Storage Tank, Leaf Green	120 454.2	24" 609.6	Ellip	5'6" 1676.4	2'11 7/8" 911.2	10 1/8" 257.3	3'0" 914.4	312 141.5	96	12
68281	250 Gallon AG/UG Storage Tank, White	250 946.3	30" 762	Hemi	7'10" 2387.6	3'5 7/8" 1063.6	12 3/4" 323.9	3'6" 1066.8	473 214.5	54	9
68281.6	250 Gallon AG/UG Storage Tank, Leaf Green	250 946.3	30" 762	Hemi	7'10" 2387.6	3'5 7/8" 1063.6	12 3/4" 323.9	3'6" 1066.8	473 214.5	54	9
68282	320 Gallon AG/UG Storage Tank, White	320 1211.3	30" 762	Hemi	9'7" 2921	3'6 9/16" 1081.1	12 3/4" 323.9	4'0 1/4" 1225.6	567 257.2	45	9
68282.6	320 Gallon AG/UG Storage Tank, Leaf Green	320 1211.3	30" 762	Hemi	9'7" 2921	3'6 9/16" 1081.1	12 3/4" 323.9	4'0 1/4" 1225.6	567 257.2	45	9
68283	500 Gallon AG/UG Storage Tank, White	500 1892.7	37.5" 952.5	Hemi	9'10" 2997.2	4'2 7/16" 1281.1	15" 381	5'0" 1524	921 417.8	30	6
68283.6	500 Gallon AG/UG Storage Tank, Leaf Green	500 1892.7	37.5" 952.5	Hemi	9'10" 2997.2	4'2 7/16" 1281.1	15" 381	5'0" 1524	921 417.8	30	6
68284	1000 Gallon AG/UG Storage Tank, White	1000 3785.4	41" 1041.4	Hemi	15'11" 4851.4	4'5 3/8" 1355.7	16 1/4" 412.8	9'0" 2743.2	1812 821.9	15	5
68284.6	1000 Gallon AG/UG Storage Tank, Leaf Green	1000 3785.4	41" 1041.4	Hemi	15'11" 4851.4	4'5 3/8" 1355.7	16 1/4" 412.8	9'0" 2743.2	1811 821.5	15	5



MANCHESTER VERTICAL TANKS

100# ASME - 420# ASME



420 lbs



200 lbs



100 lbs

Tank Data

Tank Type	Water Capacity	LP Capacity	Overall Length	Diameter	Tare Weight	Part Number (White)
	Gallons		Inches		Pounds	
420# ASME	120	95.9	53.5	30	291	6762.11
420# DOT	120	95.9	53.5	30	278	1499TC.11
200# ASME	57	45.6	41.9	24	188	6765.11
200# DOT	57	45.6	41.9	24	152	14205TC.11
100# ASME	28.5	22.9	37.1	18	85	68143



MANCHESTER VERTICAL TANKS

Valves

Tank Type	Tank Part #	Service Valve (STD)	Service Valve (with Port)	Service Valve (w/ PrestoTap)	Multivalve	Relief Valve	Filler Valve
		Cut Dip Tube to Length					
420# ASME	6762.11	9101RT11.7	9102D11.1	PT9102DT11.7	---	8544GT	L7579CT
420# DOT	1499TC.11	9101RT11.7	9102D11.1	PT9102DT11.7	---	8544KT	L7579CT
200# ASME	6765.11	---	---	---	6555R11.6	8544GT	7647SCT
200# DOT	14205TC.11	---	---	---	8555RT11.6	8544KT	7647SCT
100# ASME	68143	---	---	---	6555R11.6	---	7647SCT

Gauges and Dials

Tank Type	Tank Part #	Gauges	Dial (Snap On)	Dial (2 Screw)
420# ASME	6762.11	HA254J	5-1951	5-01835
420# DOT	1499TC.11	HA254J	5-1951	5-01835
200# ASME	6765.11	HA180A	5-1951	5-01852
200# DOT	14205TC.11	HA180A	5-1951	5-01852
100# ASME	68143.00	G13082	G13088	---

Lids and Accessories

Tank Type	Tank Part #	Black HDPE Lid	White Steel Lid	Cotter Pin	Clevis Pin	Hinge
420# ASME	6762.11	A79959	A73035.2	A59888	A59887	A79958
420# DOT	1499TC.11	A79959	A73035.2	A59888	A59887	A79958
200# ASME	6765.11	A79959	A73035.2	A59888	A59887	A79958
200# DOT	14205TC.11	A79959	A73035.2	A59888	A59887	A79958
100# ASME	68143	A79959	A73035.2	A59888	A59887	A79958

MANCHESTER DOT TANKS

20# - 100#



10504.102
20 lbs



1175TC
30 lbs



1220.13
40 lbs



14861
50 lbs



1426
60 lbs



1428
100 lbs POL



1436
100 lbs
Multivalve



20# Cylinder Storage Cabinets

Part Number	No. Cyls.	Deep	Wide	High
X-8	8	27"	30"	50"
X-12	12	27"	43"	50"
X-16	16	27"	60"	50"
X-18	18	27"	43"	72"
X-24	24	27"	60"	72"
X-24L	24 (low profile)	27"	85"	50"
X-36	36	39"	50"	72"

INTERNATIONAL DOT TANKS



MSCP-10518VWZ
20 lbs
48/skid



MSCP-1170VWZ
30 lbs
36/skid



MSCP-15580VGZ
33 lbs
36/skid
Steel Tank



MSCP-1270VWZ
40 lbs
24/skid



MSCP-1836VGZ
100 lbs
9/skid



MSCP-1828VGZ
100 lbs POL
9/skid

With Zinc Metalized Paint

OPD Valves

Tank Type	Part Number	# in Tray
20#	MSCP-VQCC-B	14
30#	MSCP-VQCC-B.2	10
40#	MSCP-VQCC-B.3	10

100# Tank Valves

Tank Type	Part Number
POL	9103D11.6
Multivalve	8555DT11.6

MANCHESTER FORKLIFT CYLINDERS



20 lbs



33.5 lbs



43.5 lbs

LP Cap	Type	Overall Length	CYL Diam.	Guard Diam.	Footring Diam.	Tar WT (lbs)	Gauge	ACME Conn	Water Cap (lbs)	ACME Fast Fill	10% Outage	Part Number
20 LB	Aluminum	20.38"	12.28"	10.5"	9.5"	17	Yes	Yes	47.6	No	Yes	9285 Buffer/Vapor**
20 LB	Aluminum	20.38"	12.28"	10.5"	9.5"	17	Yes	Yes	47.6	Yes	Yes	9287 Buffer/Vapor**
20 LB	Aluminum	20.38"	12.28"	10.5"	9.5"	17	Yes	Yes	47.6	Yes	Yes	9305
33.5 LB	Aluminum	28.56"	12.28"	10.5"	9.5"	23.5	Yes	Yes	80	No	Yes	9310
33.5 LB	Aluminum	28.56"	12.28"	10.5"	9.5"	23.5	Yes	Yes	80	Yes	Yes	9315
33.5 LB	Aluminum	28.56"	12.28"	10.5"	9.5"	23.5	No	Yes	80	No	Yes	9290
33.5 LB	Aluminum	28.56"	12.28"	10.5"	9.5"	23.5	No	Yes	80	Yes	Yes	9317
43.5 LB	Aluminum	33.94"	12.28"	10.5"	9.5"	25	Yes	Yes	105	Yes	Yes	9161
43.5 LB	Aluminum	33.94"	12.28"	10.5"	9.5"	25	Yes	Yes	105	No	Yes	9164
20 LB	Steel	19.13"	12.19"	10.25"	10.25"	27	Yes	Yes	47.6	No	Yes	5455 Buffer/Vapor
20 LB	Steel	19.13"	12.19"	10.25"	10.25"	27	Yes	Yes	47.6	Yes	Yes	5456 Buffer/Vapor
20 LB	Steel	19.13"	12.19"	10.25"	10.25"	27	Yes	Yes	47.6	No	Yes	5550
20 LB	Steel	19.13"	12.19"	10.25"	10.25"	27	Yes	Yes	47.6	Yes	Yes	5560
33.5 LB	Steel	27.25"	12.19"	10.25"	10.25"	36	Yes	Yes	80	No	Yes	5570
33.5 LB	Steel	27.25"	12.19"	10.25"	10.25"	36	Yes	Yes	80	Yes	Yes	5580
43.5 LB	Steel	33.25"	12.19"	10.25"	10.25"	43	Yes	Yes	104	No	Yes	5590
43.5 LB	Steel	33.25"	12.19"	10.25"	10.25"	43	Yes	Yes	104	Yes	Yes	5595

NOTE: We are the largest warehouse for forklift cylinders. We can stamp your name on the collar.

*Has plugged fill opening.

**Buffer tanks are for use in vertical position only

MANCHESTER FORKLIFT CYLINDERS

Valves, Connectors, O-Rings, & Fill Gauges



7141M



7141F

Part Number	Application	Type	Inlet	Outlet	Protective Cap*	
					Rubber	Brass
7141M	Service Valve	Forklift	3/8" F.NPT	1 1/4" M. ACME	7141M-40	7141FP
7141F	Fuel Line	Forklift	1 1/4" F.ACME	1/4" F.NPT	-	-
V21502	-	Mower	-	-	-	-
V21503	-	Mower	-	-	-	-



MSW-4

Part Number	Description
7141M-3R	RegoO Outer Flat Washer
MSW-4	Outer Washer Flat
2114A	Inner O-Ring

33 lb. Cabinets

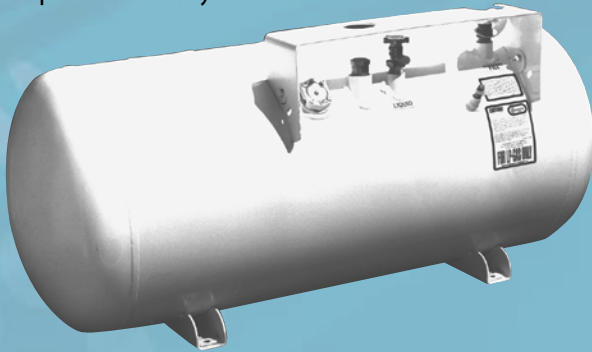


Part Number	No. Cyls.	Deep	Wide	High
M-4	4	37"	30"	40"
M-6	6	37"	30"	55"
M-8	8	37"	30"	70"
M-12	12	37"	43"	70"
M-16	16	37"	60"	70"
M-24	24	37"	85"	70"

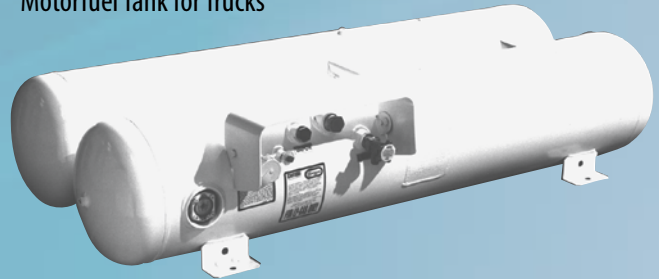
M-16

MOTOR FUEL STYLE

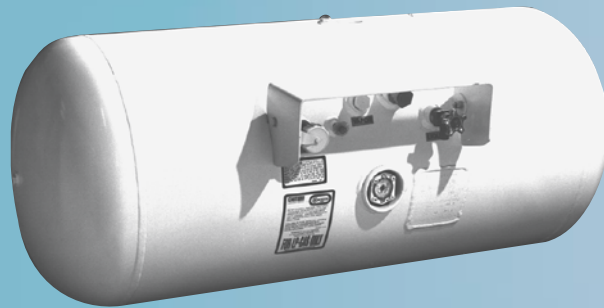
Floor Mount Tank for Narrow Body Pickup Beds and Utility Boxes



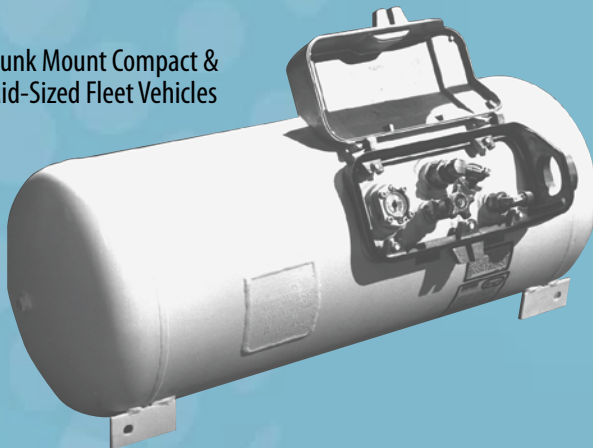
Standard Type #1-45° Motorfuel Tank for Trucks



Motorfuel Tanks for Under Pickup Tool Boxes



Trunk Mount Compact & Mid-Sized Fleet Vehicles



Underbody, Manifold Motorfuel Tank for Vans (rear mount)

Stock ASME Autogas Tanks

Part Number	Dimension	WGT	Water Capacity	L.P. Capacity	Description	Skid Qty
215547.1	10" & 10" x 48"	131	30.2	24.2	U45, Remote Fill, Bed Mount Brackets, Under Tool Box	6
23167.1R	12" & 12" x 48"	148	43.4	34	U45, Remote Fill, Bed Mount Brackets, Under Tool Box	6
236147	13" & 13" x 32"	136	33	26.2	L45, Remote Fill, Underbody with Brackets	10
211447	12" x 48" & 12" x 60"	183	49.1	39.3	U45, Direct Fill, Bed Mount Brackets, Under Tool Box	5
2380417	16" x 34"	91	26.2	21	U45, Remote Fill, Vapor Seal Box, Trunk Mount Brackets	8
20067	16" x 52"	152	41.4	33.1	U45, Direct Fill, Bed Mount Brackets, Under Cap or Cover	6
270281	20" x 48"	200	58.4	48	U45, Remote Fill, Bed Mount Brackets	4
26087	20" x 60"	231	74.2	59.4	U45, Direct Fill, Bed Mount Brackets	4
23657.1R	24" x 62"	370	109.3	87.5	U45, Direct Fill, Bed Mount Brackets	4

NOTE: Contact Customer Service for quote on qualities greater than two skids.

MOTOR FUEL STYLE

Non-Stock ASME Autogas Tanks

Part Number	Dimension	WGT	L.P. Capacity (Gallons)	Direct or Remote Fil	Description
2148471	10" & 10" X 44"	149	22.1	R	U45, Trunk Mount Brackets
270155	10" & 12" X 30"	115	17.9	R	L45, Underbody with Brackets
270161	11" & 11" X 40"	130	24.1	R	U45, Trunk Mount Brackets
22987	12x50	70	18.1	D	L45, Underbody with Brackets
230947	13" & 10" X 30"	104	19.7	R	L45, Underbody with Brackets
270162	13" & 10" X 30"	135	19.7	R	L45, Underbody with Brackets
256271	14" x 37"	90	17.8	R	U45, Trunk Mount Brackets
23467	16" x 42"	106	26.3	D	U45, Underbody Slick
21077	18" X 32"	105	24.6	D	U45, Underbody Slick
23087	18" X 36"	116	28.1	D	U45, Underbody Slick
23097	18" X 42"	131	33.2	D	U45, Underbody Slick
20727	18" x 80"	221	65.4	D	U45, SCHOOL BUS Slick
23117	20" x 42"	158	40.5	D	U45, Underbody Slick
24457	20" x 48"	176	46.7	D	U45, Bed Mount Brackets, Under Cap or Cover
23127	20" x 48"	177	46.7	D	U45, Underbody Slick
23567	20" x 60"	217	59.4	D	U45, Underbody Slick
200247	20" x 60"	225	59.4	D	U45 W/BRKTS 312 PSI
23257	24" x 36"	205	48.3	D	U45, Underbody Slick
23147	24" x 48"	263	66.2	D	U45, Underbody Slick
220847	12" x 10" & 30"	114	17.8	R	L45, Underbody with Brackets
211447.1	12" x 48" with remote	183	39.3	R	U45, Bed Mount Brackets, Under Tool Box
235547	13" & 13" X 27"	119	21.8	R	L45, Underbody with Brackets
20087	16" x 62"	146	39.3	D	U45, Bed Mount Brackets
20597	24" X 62"	322	87.4	D	U45, Bed Mount Brackets

NOTE: Contact Customer Service for quote on quantities greater than 20 pcs.

Autogas Accessories

Part Number	Description
V13414	Valve 80% Stop Fill Direct
V13415	Valve 80% Stop Fill Remote
G12845	Remote Sender 90 OHM
V13399	Remote Outage Valve
8544T	1" Relief Valve
8543T	1 1/4" Relief Valve
7647SCT	1 3/4" Filler Valve

All tanks on this page are manufactured to meet or exceed the American Society of Mechanical Engineers (ASME) specifications.

Autogas Strap Brackets

Part Number	WGT	Description
23964.1	24	10" Standard Strap Brackets
23504.1	25	12" Standard Strap Brackets
2518.1	39	16" Standard Strap Brackets
2506.1	38	18" Standard Strap Brackets
25291.1	62	18" Heavy Duty Strap Brackets
2507.1	40	20" Standard Strap Brackets
25071.1	63	20" Heavy Duty Strap Brackets
2509.1	46	24" Standard Strap Brackets
25091.1	64	24" Heavy Duty Strap Brackets

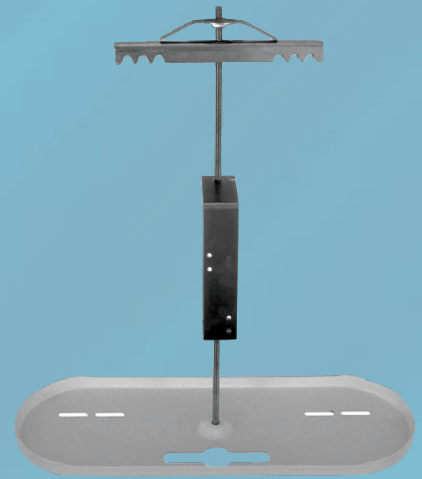
RV ASME VAPOR TANKS



Part Number	Weight	Size	W.C.	LP Cap	Description
6808	31	6X30	3.3	2.64	SF Vapor Appliance & 2 Top Brkts
6811	45	8X42	8.4	6.72	L45 Vapor Appliance & Channel Brkts
6813	40	10X23	6.9	5.52	L45 Vapor Appliance & Channel Brkts
6812	36	10X23	6.9	5.52	SF Vapor Appliance & Channel Brkts
6814	54	10X32	9.9	7.92	L45 Vapor Appliance & Channel Brkts
6815	44	10X32	9.9	7.92	SF Vapor Appliance & Channel Brkts
6856	52	10X32	9.9	7.92	SF Vapor Appliance & Channel Brkts
68045	52	10X32	9.9	7.92	SF Vapor Appliance & Channel Brkts
6801	45	12X24	10.3	8.24	SF Vapor Appliance & Channel Brkts
6840	50	12X28	12.2	9.76	SF Vapor Appliance & Channel Brkts
6817	59	12X32	14.1	11.3	L45 Vapor Appliance & Channel Brkts
6802	60	12X32	14.1	11.3	SF Vapor Appliance & Channel Brkts
6803	65	12X32	14.1	11.3	SF Vapor Appliance & Rear Corner Brkts
6758	90	12X40	17.9	14.3	SF Vapor Appliance & Top Blade Brkts
6820	73	12X42	18.9	15.1	L45Vapor Appliance & 6 Corner Brkts
6819	82	12X42	18.9	15.1	L45Vapor Appliance & 6 Corner Brkts
6898	53	12X42	18.9	15.1	L45Vapor Appliance & 6 Corner Brkts
68028	75	12X42	18.9	15.1	SF Vapor Appliance & Top Angle Brkts
6822	60	13X26	13.2	10.6	SF Vapor Appliance & Top Angle Brkts
6823	71	13X34	17.6	14.1	SF Vapor Appliance & Top Angle Brkts
6824	54	14X21	11.9	9.52	SF Vapor Appliance & Top Angle Brkts
6761	70	14X30	17.7	14.2	SF Vapor Appliance & Top Angle Brkts
6760	77	14X32	19	15.2	SF Vapor Appliance & Top Angle Brkts
6826	69	14X34	20.3	16.2	SF Vapor Appliance & Top Angle Brkts
6887	69	14X34	20.3	16.2	SF Vapor Appliance Remote & Top Angle Brkts
28026	81	14X40	24.2	19.4	SF Dual Service & 6 Corner Brkts
6828	81	14X40	24.2	19.4	SF Vapor Appliance & 6 Corner Brkts
6829	83	14X40	24.2	19.4	SF Vapor Appliance & Top Angle Brkts
6829.2	83	14X40	24.2	19.4	SF Vapor Appliance Remote Solenoid & Top Angle Brkts
6804	89	14X40	24.2	19.4	SF Vapor Appliance & Top Corner Brkts
6807	84	14X40	24.2	19.4	SF Vapor Appliance & Wing Brkts
68119	84	14X40	24.2	19.4	SF Vapor Appliance & Bottom Blade Brkts
6879	89	14X40	24.2	19.4	SF Vapor Appliance & Top Angle Brkts
68037	103	14X47	28.7	23	SF Vapor Appliance & Rear Blade Brkts
68072	109	14X47	28.7	23	SF Vapor Appliance & Rear Blade Brkts
6830	90	14X48	29.3	23.4	SF Vapor Appliance & Top Angle Brkts
68120	98	14X48	29.3	23.4	SF Vapor Appliance Remote Solenoid & BTM Teardrop Brkts

RV ASME VAPOR TANKS

Part Number	Weight	Size	W.C.	LP Cap	Description
28001	104	14X48	29.3	23.4	SF Vapor Appliance & Top Angle Brkts
68140	140	14X85	53.1	42.48	EF Vapor Appliance & Bottom Angle Brkts, Remote Sender
6839	82	16X27	20.3	16.2	SF Vapor Appliance & Top Angle Brkts
6842	93	16X32	24.5	19.6	SF Vapor Appliance & Top Angle Brkts
6874.2	91	16X32	24.5	24.5	SF Vapor Appliance & Rear Blade Brkts, Remote Sender
28016	101	16X33	24.5	20.3	SF Liquid Generator & Top Corner Brkts
6809	106	16X33	24.5	20.3	SF Vapor Appliance & Rear Angle Brkts
6847.1	118	16X40	31.3	25	SF Dual SRV Remote, Solenoid & Top Teardrop Brkts
6841	116	16X40	31.3	25	SF Vapor Appliance & Top Angle Brkts
6833	116	16X40	31.3	25	SF Vapor Appliance & Rear Angle Brkts
6867	116	16X40	31.3	25	SF Vapor Appliance Stop Fill & Top Angle Brkts
6845	120	16X42	32.9	26.3	SF Vapor Appliance & Top Angle Brkts
68000	137	16X48	38	30.4	SF Dual SRV Remote, Liq/VAP Solenoid & BTM Teardrop Brkts
68000.2	137	16X48	38	30.4	SF Dual SRV Remote, Solenoid & BTM Teardrop Brkts
68036	130	16X48	38	30.4	SF Vapor ApplianceE & Back Angle Brkts
6866	136	16X48	38	30.4	SF Vapor Appliance & Top Teardrop Brkts
6878	134	16X48	38	30.4	SF Vapor Appliance & Top Angle Brkts
6878.1	134	16X48	38	30.4	SF Vapor Appliance Remote & Top Angle Brkts
68053	137	16X48	38	30.4	SF Vapor Service & Bottom Teardrop Brkts
68052	137	16X48	38	30.4	SF Vapor Service Remote & Top Teardrop Brkts
6853.1	137	16X48	38	30.4	Dual Service Remote, Solenoid & Top Teardrop Brkts
6853.2	137	16X48	38	30.4	Dual SRV Remote, Liq/VAP Solenoid & Top Teardrop Brkts
68154	138	16X50	39.7	31.8	EF Vapor Appliance & Bottom Teardrop Brkts
68007	118	18X36	34.9	27.9	SF Vapor Appliance & Top teardrop Brkts
68026	125	18X36	35.7	28.56	SF Vapor Appliance & Rear Angle Brkts
6837	149	18X48	47.7	38.2	SF Vapor Appliance & Top Angle Brkts
6875	134	20X33	38.7	31	SF Vapor Appliance & Bottom Teardrop Brkts
68124	143	20X36	42.7	34.2	SF Vapor Appliance & Bottom Blade Brkts
28011	176	20X42	50.6	40.5	SF Liquid Gen/Vapor Appliance & Teardrop Brkts
6849.1	156	20X42	50.6	40.5	SF Vapor Appliance & Top Angle Brkts
6880	215	20X56	69	55.2	SF Dual Vapor Appliance & Top Teardrop Brkts



Cylinders Mounting Brackets for RVs

Part Number	Description
1803	30 LB Dual Rack Complete
1811	40 LB Dual Rack Complete
1805	20 LB Center Rod 3/8" X 18"
1806	30 LB Center Rod 3/8" X 24"
1807	40 LB Center Rod 3/8" X 30"
1809	Wing Nut Only 3/8"
1810	Dual Rack Base with 3/8" Nut
1588	Hold Down Bar
1589	Regulator Mounting Bracket

SF = Side Fit (valves are 90 degrees on the horizontal line on the side of the tank)
 EF = End Fit (valves are in the head)
 L45 = Lower 45 (valves are in the lower 45 position below the horizontal line)

OTHER DOT CYLINDERS



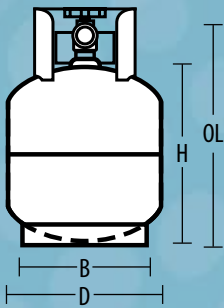
10054



10228.4



10393.1



Description	Part Number	OL	H	D	TW	WC	B
5LB Vertical ACME/Type 1 w. OPD	10054	12	8.62	8	9.5	13	6.5
10LB Vertical ACME/Type 1 w. OPD	10228.4	17.43	13.75	8.87	14	26.1	7.25
11LB Vertical ACME/Type 1 w. OPD	10393.1	12.38	8.37	12.16	13	25.4	7.93

Mower Cylinders



Features:

- Cylinders available for horizontal or vertical service, depending on application
- Standard fittings include: Safety Relief, Float Gauge, Fixed Liquid Level, Vapor Service, and ACME Fill Valves
- Collar painted green for product differentiation

Part Number	Description	Type	Water Capacity	Length	Height	Diameter	Tare-Weight
5456TC.3	20lb.	Steel	4.76 gal	13.6"	19"	12"	27 lb
9367	33.5lb.	Aluminum	8.0 gal	22.4"	28.3"	12"	25 lb
9368	43.5lb.	Aluminum	10.4 gal	28.8"	34.4"	12"	26 lb

Collars

For use on cylinders during transportation. Also protects valve on construction sites as per DOT and OSHA requirements.



Screw on Cap
1433



Screw On Collar
1406.1
1406.2

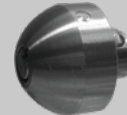
Part Number	Description
1433	Screw cap, 3 1/2" thread
1406	Screw on collar (construction) fits over multivalve 3 1/2"
1406.2	Screw on collar (construction) fits over multivalve 3 1/8"

Locks

The easy to install 510 Saf-T-Lok securely locks POL service valves to prevent unauthorized hookups, reduce pilferage, and secures tanks after "out of gas" calls. Provides an effective credit control.



510-K



B531G



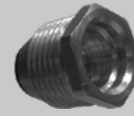
S533G-LLVC-A0



510



S502K-C-BLUE



B827P-A0

Part Number	Description
510	POL-LOCK
510-K	POL-LOCK KEY
B531G & B827P-A0	POL Lock complete with lock and plug for LP outlet valve keyed alike (key not included)
S502K-C-BLUE	Key (when ordered with lock order) cut uniquely with coe for each company
S533G-LLVC-A0	1 3/4" ACME valve cap lock with brass cap and slip ring with lock keyed alike (key not included)

Locking Caps

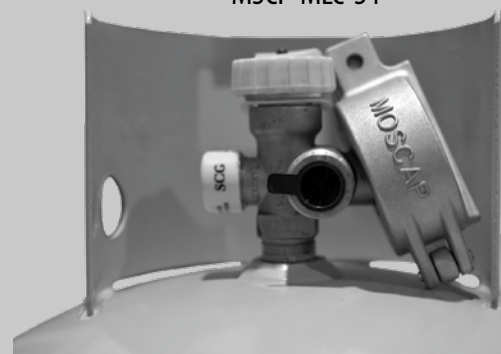
Encloses ACME thread or handwheel on valve to prevent tampering.

Part Number	Inside Diameter	Bottom Opening	Height	Valve Type
MSCP-MLC-1	2 1/4"	1 1/2"	1 1/8"	FILLER
MSCP-MLC-S4	2 1/2"	1 3/8"	1"	100 LB

MSCP-MLC-1



MSCP-MLC-S4



TANK ANCHORING

Underground anchoring equipment for 500 and 1,000 gallon tanks. These are specifically designed to secure both 500 and 1,000 gallon Underground Tanks to a cement pad.



2010-MINUTE



2375

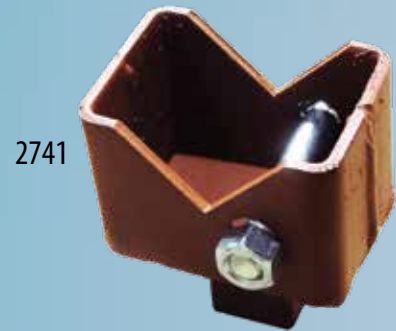


1436

1284



2391



2741

Part Number	Description	Use
1346	36" Earth Anchor w/4" & 6" Disks	Dense / Normal Soil
1593	36" Earth Anchor w/4" & 6" Disks & Stabilizer	Dense / Medium Soil
1284	50" Earth Anchor w/Double 4" Disks	Loose to Medium Soil
1284G	50" Earth Anchor Galvanized w/Double 4" Disks	Loose to Medium Soil
2391	Dry Concrete Anchor w/Bolt Expansion Sleeve	Concrete - Dry
2010-MINUTE	Split Bolt and Nut	All Anchors
2365	Stainless Steel Sling w/Sheathed Strap & Seals	For Vertical Cylinders
2375	Stainless Steel Strap 100 ft. Roll	Cylinders
2382	Strap Sheathing - 150 feet	Cylinders
2730	Minute Man Drive Machine	Cylinders
2741	Minute Man Anchor Adapter	Cylinders

UG Tank Kit

UG-KIT Contains:
 (2) 1/2" x 15' cables
 (4) 1/2" x 6' turnbuckles
 (6) 1/2" cable clips
 (4) 1/2" x 9" x 15" anchors



Aluminum Tank Cradles

TC-1-A
 120 - 350 gal. tanks require 1 strap and 2 anchors
 351 - 1500 gal. tanks require 2 straps and 4 anchors.



CATHODIC PROTECTION

WHY TANKS CORRODE

Underground steel tanks corrode due to an electrochemical reaction between the tank and the surrounding soil. The process of corrosion occurs due to small voltage differences on the steel surface that result in the flow of DC current from one location to another. Where current flows from the tank into the soil corrosion occurs. This location is called the anode in a corrosion circuit. Where current flows from the soil to the tank, no corrosion occurs. The progress of corrosion is determined by the amount of current flowing between the anode and the cathode and whether the locations of the anode/cathode remain constant over time. Corrosion rates are generally higher in wet soil environments since the conductivity of the soil promotes the flow of DC current in the corrosion circuit. Corrosion generally exhibits itself on underground tanks in either a general overall rusting or more commonly, a pitting attack. Pit locations may result from metal-lurgical conditions of the steel surface or soil variations such as rocks, salts, fertilizer, moisture concentration, oxygen concentration, etc.

PREVENTING CORROSION

Protecting underground tanks from corrosion is easily achieved by the use of two commonly applied protection methods: external coating and cathodic protection. These two methods are complementary and should be used in conjunction with the other. An effective external protective coating insulates the steel from the soil environment, thus preventing the flow of corrosion current from the anode to the cathode. An effective external coating can protect over 99% of the tank surface area. However, no coating is perfect. Damage from construction or soil stresses create tiny defects, which may result in accelerated corrosion at the defect.

Cathodic protection prevents corrosion at those defects by applying DC current from an external source, forcing the tank to become cathode. Application of sufficient DC current to the tank will prevent any corrosion from occurring. The two general types of cathodic protection systems are sacrificial and impressed current. Sacrificial systems are used when the amount of current required for the protection is small, such as in underground propane tanks. Impressed current systems are more commonly used for large structures such as large diameter pipelines. Electrical isolation of the tank from metallic piping systems and electrical grounds is critical for the cathodic protection system's effectiveness.

HOW SACRIFICIAL CATHODIC PROTECTION WORKS

Sacrificial systems work by creating a galvanic connection between two different metals. The most common anode material is magnesium, which when coupled to steel results in DC current flow from the magnesium to the steel. The open circuit potential of steel is about -0.50 volts referenced to a copper sulfate electrode. The open

circuit potential of magnesium is about -1.55V to -1.80V. By connecting the two metals together, the difference of 1 to 1.25V volts results in current flow to the tank that overcomes the natural corrosion cells that exist on the tank. With this current available to the tank, no corrosion occurs.

MAGNESIUM ANODES

There are a variety of anode sizes and alloys used for cathodic protection. The two primary alloys are designed as H-1 (or AZ63) and High Potential. The H-1 alloy is produced from recycled magnesium and has an open circuit potential of approximately -1.55V. This alloy is well suited for protection of underground propane tanks. The High Potential alloy is 99% pure magnesium having an open circuit potential up to -1.8V. This alloy should be used for soil applications over 10,000 ohm-cm resistivity.

The two most common anode sizes used for underground propane tanks are 9 lb. and 17lb. The size designation relates to the metal weight. 10' of #12 TW insulated wire is attached to the anodes. Anodes are then backfilled in a mixture of gypsum, bentonite, and sodium sulfate to lower the electrical resistance of the anode to soil. The mixture is a low cost, nonhazardous, electrically conductive backfill. The anode and backfill is then packaged in a cotton bag and either a cardboard box or paper bag. Actual shipping weight of these anodes with backfill is 27 lb. and 45 lb.

APPLICATION RECOMMENDATIONS

Magnesium anodes can protect underground tanks in most soil conditions. The H-1 alloy is generally very effective. The following chart provides size and quantity recommendations for various size tanks based on conservative design assumptions. This chart covers soil conditions up to 10,000 ohm-centimeter resistivity.

Resistivities higher than 10,000 ohm-centimeter generally represent very dry soils. Verification of soil resistivity can be performed through soil analysis. Contact us for design recommendations in locations where soil resistivities exceed 10,000 ohm-cm, or if there is no effective external coating on the tank.

The propane service line from the tank to the house also must be considered in the cathodic protection design, unless the service line is plastic. All underground steel pipe should be externally coated with a corrosion resistant material. The service line should be electrically isolated at the house with an insulating fitting or union. If service pipe is less than 50' in length, the tank anodes will provide sufficient current to protect both tank and pipe. For longer lengths of pipe, an additional anode may be required at the house connections.

If another metallic material such as copper is used for service piping, the pipe should be electrically isolated from the tank at the fill pipe connection. Copper and steel create a galvanic couple that will accelerate corrosion of the steel tank when directly connected to copper.



**MANCHESTER HORIZONTALS
ARE AVAILABLE FOR DELIVERY
FROM ALL OF OUR WAREHOUSES
ORDER YOURS TODAY**

CORPORATE HEADQUARTERS

1

Tarantin Industries

86 Vanderveer Road
Freehold, NJ 07728
Toll Free: 800 922 0724
Fx: 732 780 5173

BRANCH LOCATIONS

2

Tarantin Industries

20 Commercial Drive
Brentwood, NH 03833
Toll Free: 800 922 0724
Fx: 603 679 4605

3

Tarantin Industries

30 Industrial Road
Elizabethtown, PA 17022
Toll Free: 800 922 0724
Fx: 717 361 0370

4

Tarantin Industries

9733 Coach Road
Richmond, VA 23237
Toll Free: 800 922 0724
Fx: 804 279 0206

5

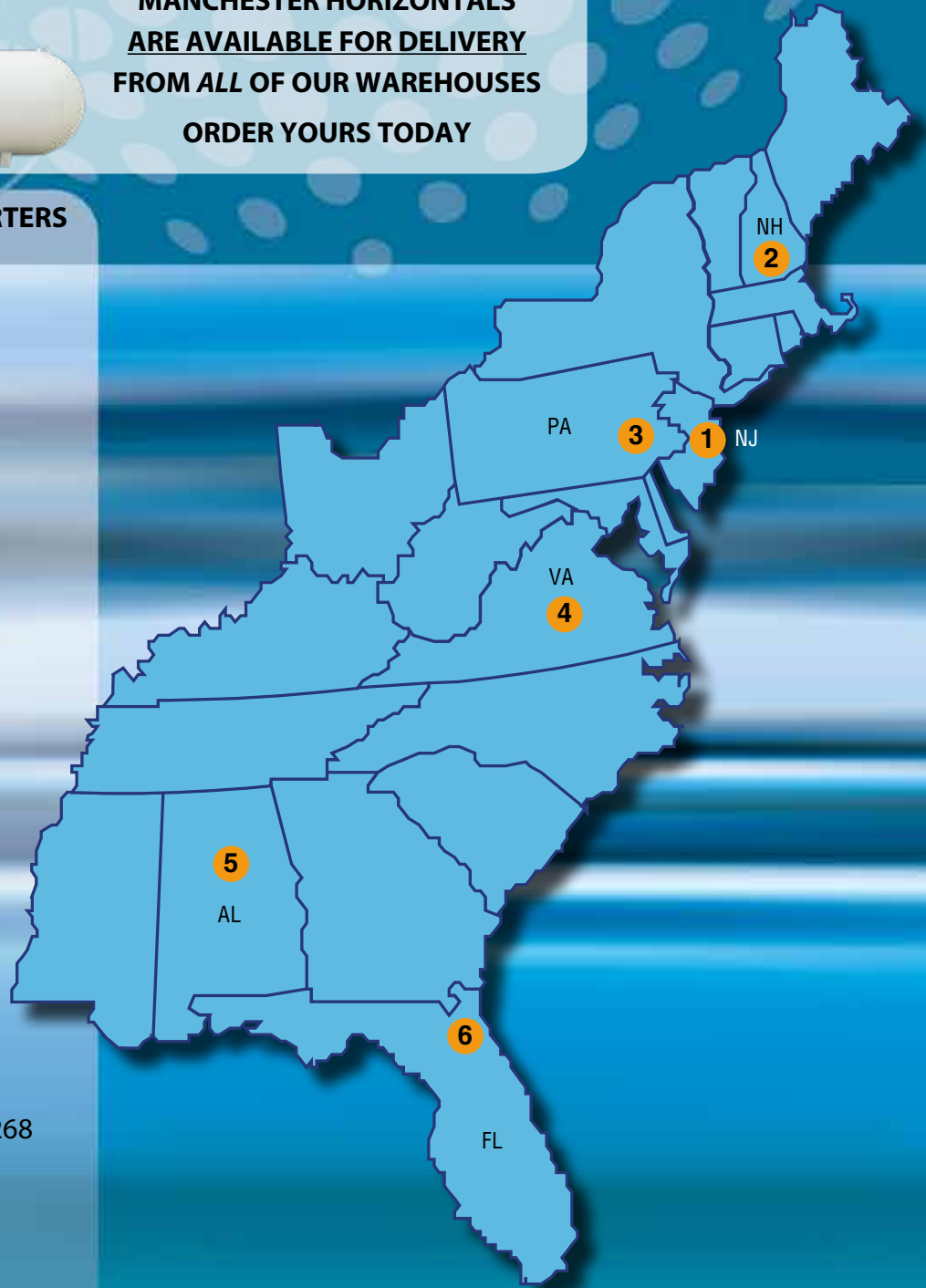
Tarantin Industries

240 Oxmoor Court, Suite 268
Birmingham, AL 35209
Toll Free: 800 922 0724
Fx: 877 769 1222

6

Tarantin Industries

5050 State Road 206 West
Elkton, FL 32033
Toll Free: 800 922 0724
Fx: 904 692 1068



Download Our App - Order Anywhere



WWW.TARANTIN.COM • 800-922-0724